

Village of
Lytton

COMMUNITY PROJECT

Pocket Park

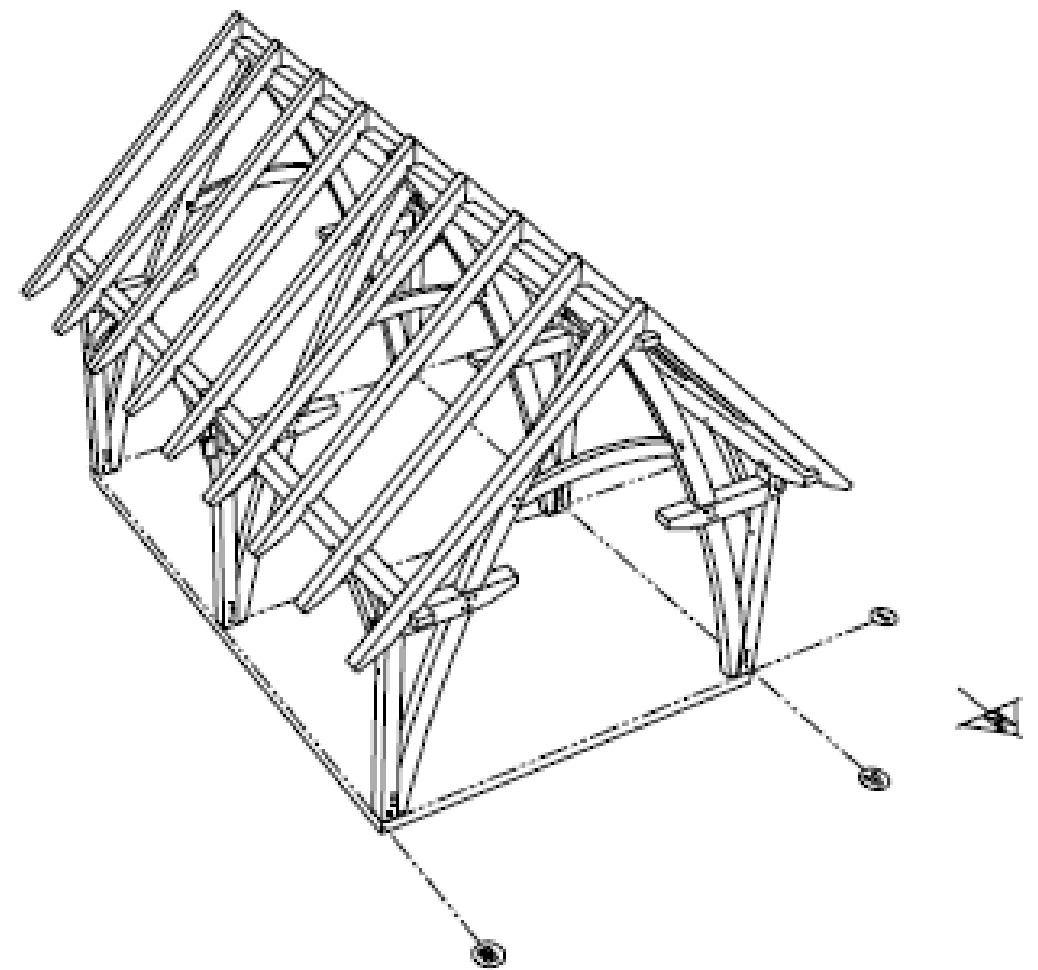
Park Improvement Project

13 May 2025

LEARN MORE AT: www.lytton.ca

COMMUNITY PROJECT

Phase 1 - Shade Structure



COMMUNITY PROJECT

Shade Structure Pocket Park



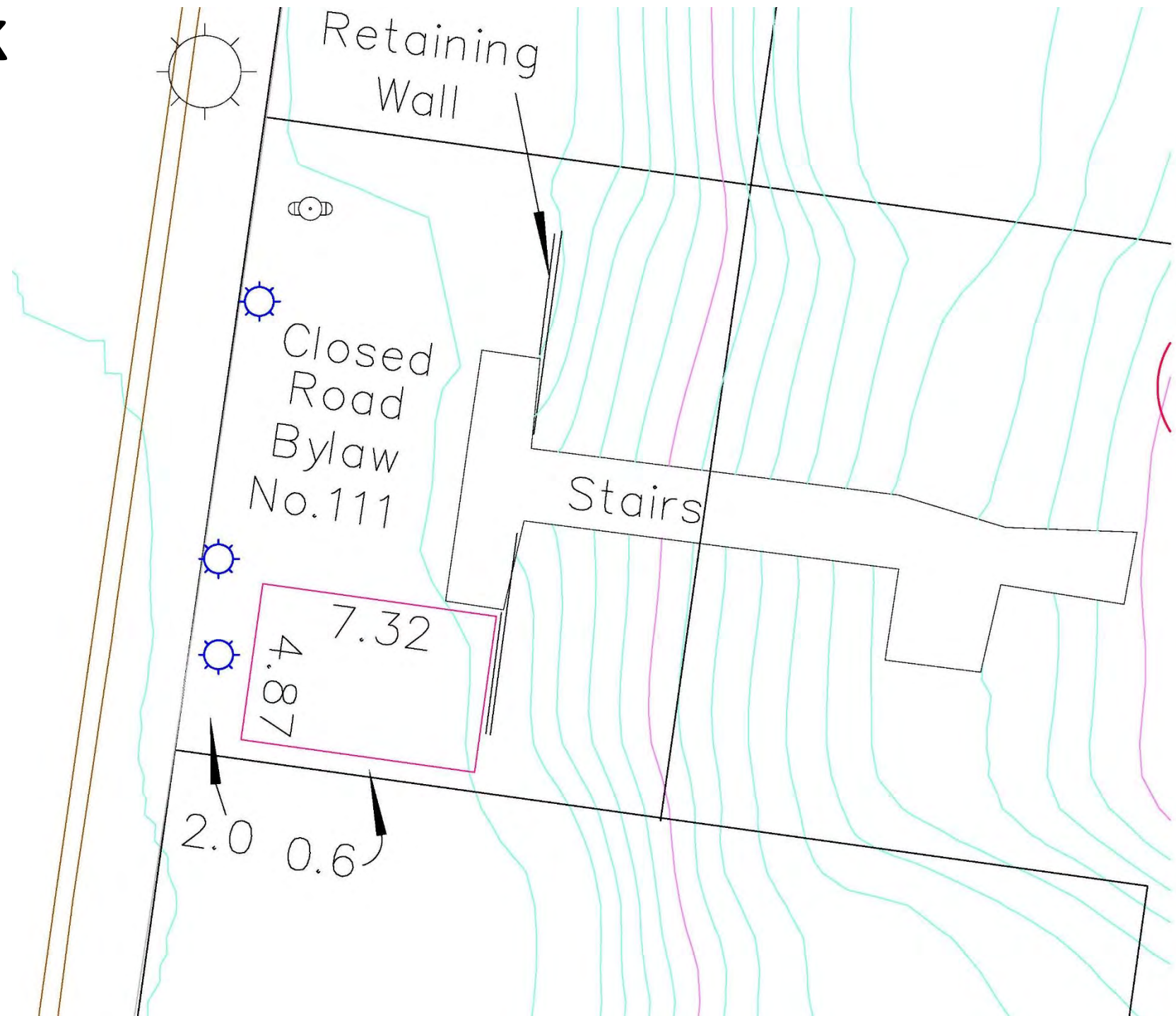
LEARN MORE AT: www.lytton.ca

COMMUNITY PROJECT



Shade Structure

Pocket Park



LEARN MORE AT: www.lytton.ca

Phase 2: Park Improvements

Pocket Park

**Landscape Plan
Irrigation and
Planting**

\$39,000



**Misting Station
\$5000**



**Picnic Table
\$1000**



TOTAL: \$45,000